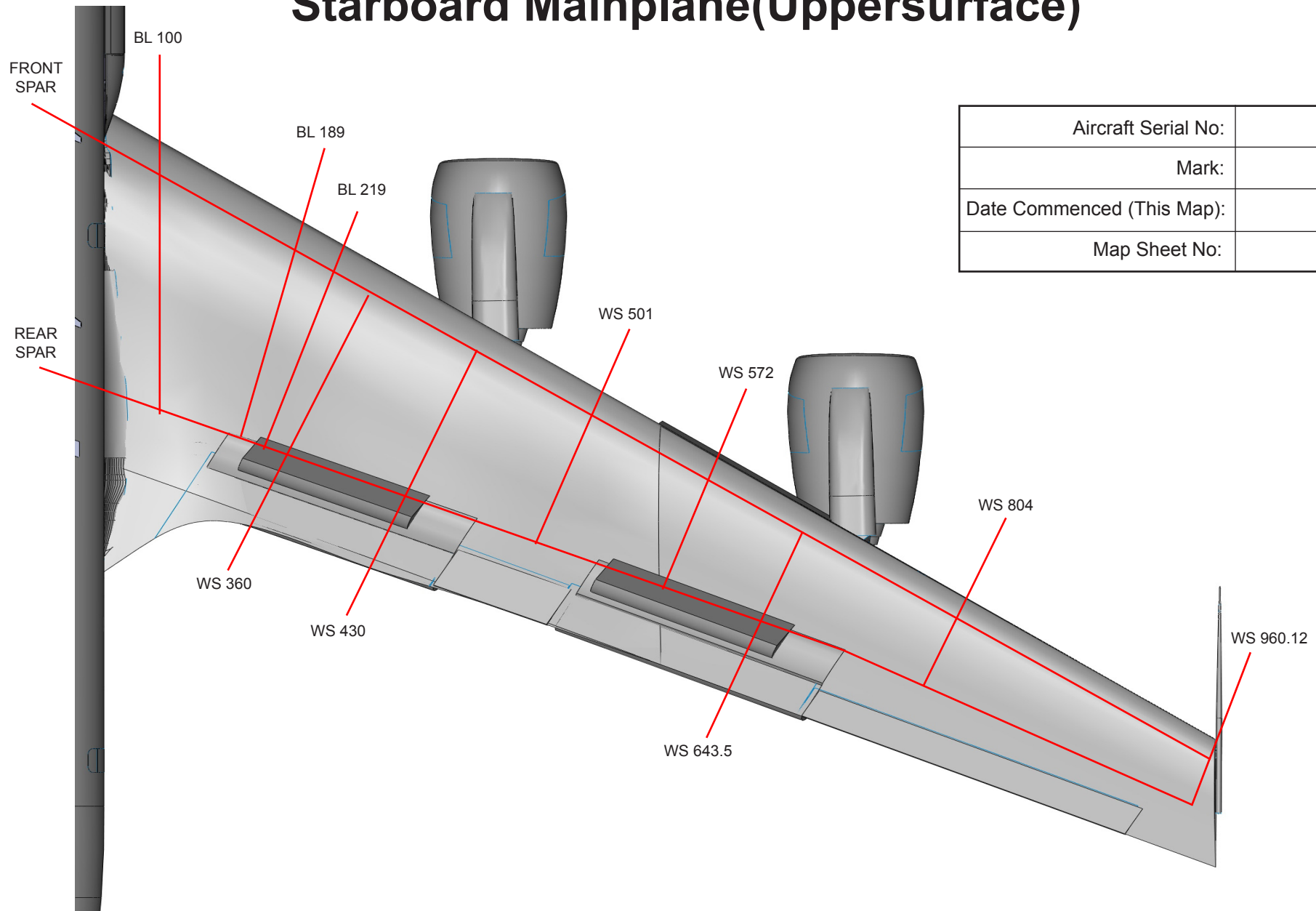


# RC-135W Fuel Leak Map

## Starboard Mainplane(Uppersurface)

MOD Form 704CB-2(RC-135W)  
(Established Jul 13)  
PPQ = 50



Aircraft Serial No:	
Mark:	
Date Commenced (This Map):	
Map Sheet No:	

Key (a)	Leak Category (b)	Lim Log / ADF (c)		Lim Log / ADF Entry (d)		ORN (e)	SMR / SF SR Entry (f)	
				Sheet No:	Line:		SMR* / SF SR* Sheet No:	Line/Entry No:
1		MF703*	MF704*	Sheet No:	Line:		SMR* / SF SR* Sheet No:	Line/Entry No:
2		MF703*	MF704*	Sheet No:	Line:		SMR* / SF SR* Sheet No:	Line/Entry No:
3		MF703*	MF704*	Sheet No:	Line:		SMR* / SF SR* Sheet No:	Line/Entry No:
4		MF703*	MF704*	Sheet No:	Line:		SMR* / SF SR* Sheet No:	Line/Entry No:
5		MF703*	MF704*	Sheet No:	Line:		SMR* / SF SR* Sheet No:	Line/Entry No:
6		MF703*	MF704*	Sheet No:	Line:		SMR* / SF SR* Sheet No:	Line/Entry No:
7		MF703*	MF704*	Sheet No:	Line:		SMR* / SF SR* Sheet No:	Line/Entry No:
8		MF703*	MF704*	Sheet No:	Line:		SMR* / SF SR* Sheet No:	Line/Entry No:
9		MF703*	MF704*	Sheet No:	Line:		SMR* / SF SR* Sheet No:	Line/Entry No:
10		MF703*	MF704*	Sheet No:	Line:		SMR* / SF SR* Sheet No:	Line/Entry No:
11		MF703*	MF704*	Sheet No:	Line:		SMR* / SF SR* Sheet No:	Line/Entry No:
12		MF703*	MF704*	Sheet No:	Line:		SMR* / SF SR* Sheet No:	Line/Entry No:
13		MF703*	MF704*	Sheet No:	Line:		SMR* / SF SR* Sheet No:	Line/Entry No:
14		MF703*	MF704*	Sheet No:	Line:		SMR* / SF SR* Sheet No:	Line/Entry No:
15		MF703*	MF704*	Sheet No:	Line:		SMR* / SF SR* Sheet No:	Line/Entry No:
16		MF703*	MF704*	Sheet No:	Line:		SMR* / SF SR* Sheet No:	Line/Entry No:
17		MF703*	MF704*	Sheet No:	Line:		SMR* / SF SR* Sheet No:	Line/Entry No:
18		MF703*	MF704*	Sheet No:	Line:		SMR* / SF SR* Sheet No:	Line/Entry No:

\*Delete as required